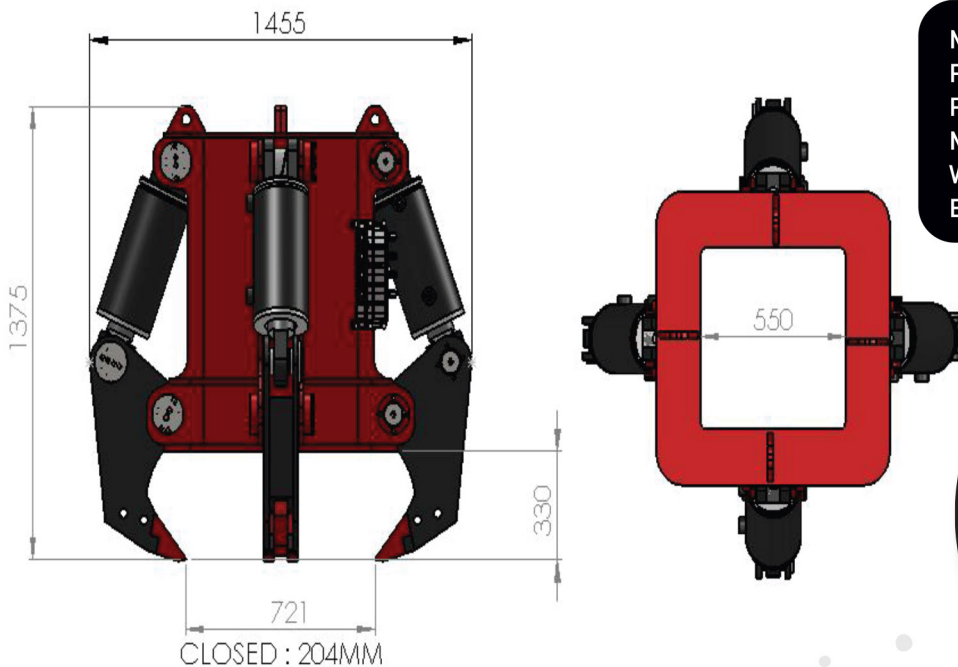


PCR-650 PILE BREAKER SPEC



MODEL NO: PCR650
PILES SIZES DIA: 300MM-650MM
PILE SIZES SQUARE: 300MM-500MM
MAX PRESSURE BAR: 350
WEIGHT: 1450KG
EXCAVATOR CLASS: 13 TONS +



PCR-650 pile breaker Is used for breaking down the piles leaving the rebar exposed on both diameter piles and square precast piles. Easy to use and set up on site the PCR-650 runs from the excavator's hydraulics and has been designed to handle the pressures generated by the excavator's hydraulic system (300 bar) and use it to its full extent.

The new design of the PCR-650 delivers the power at the cutting points evenly with advanced flow control delivering power and cutting accuracy when and where it's needed most.

The PCR-650's rugged construction is suited to the harsh environment it will be used in.

The PCR-650 will provide many years of service. Below is a list of the machine's key features:

- Cutting power and accuracy with all 4 blades pressing the same force on each cutting point.
- Light weight design using high strength materials reducing weight
- Replaceable cutting teeth which are easy to change if needed.
- Range of piles which can be processed 300-650 mm diameter and 300 to 500 square.
- Can work in confined spaces and where piles are closely grouped.

Contact us at Hyforce Demolition for more information:

Phone: 02887 749186 Email: sales@hyforcedemolition.com

WWW.HYFORCEDEMOLITION.COM